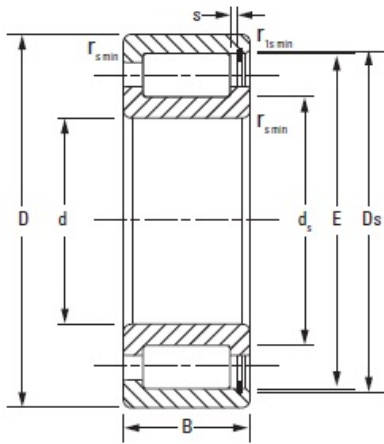




BEARING USA CORP.



Timken NCF18/560V Cylindrical Roller Bearing

Bearing No. NCF18/560V

Bore d	560.000 mm
O.D. D	680.000 mm
Width B	56.000 mm
DUR/DOR F/E	654.700 mm
Static Load Rating C_0	2460 kN
Dynamic Load Rating C_1^1	1130 kN
Dimension S^2	4.10 mm
Geometry Factor C_g^3	0.2560
Thermal Speed Ratings - Oil	230 rpm
Thermal Speed Ratings - Grease	190 rpm
Weight	86.3 lb
Chamfer r_{smin}	3.00 mm
Chamfer r_{1smin}^4	3.0 mm
Backing Shaft Diameter d_s	590.7 mm
Backing Housing Diameter D_s	656.2 mm

NCF18/560V Bearing 2D drawings and 3D CAD models