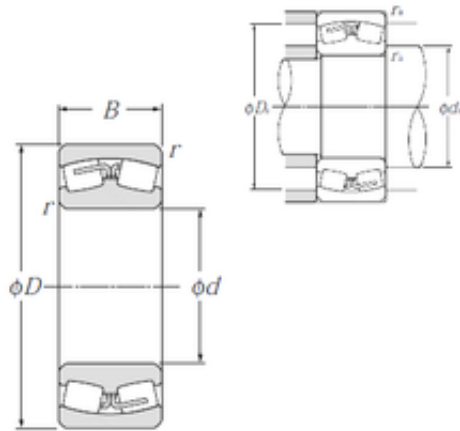




# BEARING USA CORP.

## 150 mm x 250 mm x 100 mm NTN 24130B Spherical Roller Bearings



Bearing No. 24130B

Size	150x250x100 mm
Bore Diameter	150 mm
Outer Diameter	250 mm
Width	100 mm
d	150 mm
D	250 mm
B	100 mm
C	100 mm
r min.	2,1 mm
da min.	162 mm
Da max.	238 mm
ra max.	2 mm
Weight	20,2 Kg
Basic dynamic load rating (C)	885 kN
Basic static load rating (C0)	1 520 kN
(Grease) Lubrication Speed	1 300 r/min
(Oil) Lubrication Speed	1 700 r/min
Calculation factor (e)	0,4
Calculation factor (Y0)	1,65
Calculation factor (Y1)	1,69

24130B Bearing 2D drawings and 3D CAD models