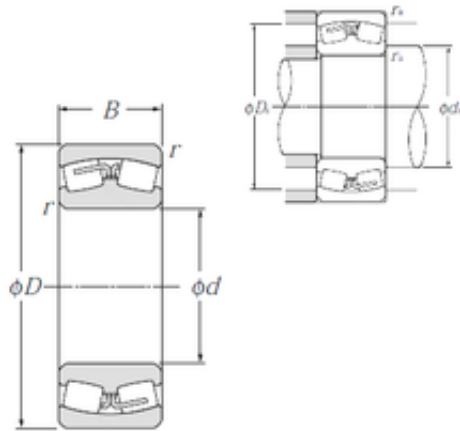




BEARING USA CORP.

180 mm x 300 mm x 96 mm NTN 23136B Spherical Roller Bearings



Bearing No. 23136B

Size	180x300x96 mm
Bore Diameter	180 mm
Outer Diameter	300 mm
Width	96 mm
d	180 mm
D	300 mm
B	96 mm
C	96 mm
r min.	3 mm
da min.	194 mm
Da max.	286 mm
ra max.	2,5 mm
Weight	25,1 Kg
Basic dynamic load rating (C)	1 030 kN
Basic static load rating (C0)	1 730 kN
(Grease) Lubrication Speed	1 100 r/min
(Oil) Lubrication Speed	1 400 r/min
Calculation factor (e)	0,32
Calculation factor (Y0)	2,07
Calculation factor (Y1)	2,11

23136B Bearing 2D drawings and 3D CAD models