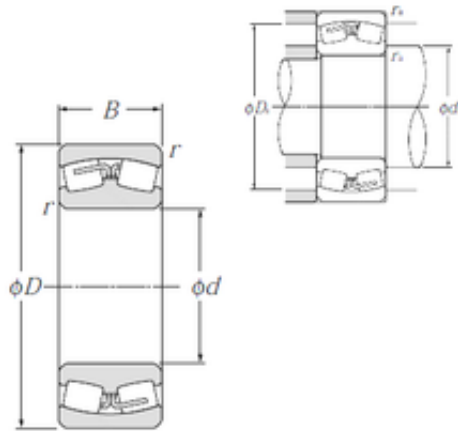




# BEARING USA CORP.

## 190 mm x 290 mm x 75 mm NTN 23038B Spherical Roller Bearings



Bearing No. 23038B

23038B Bearing 2D drawings and 3D CAD models

Size	190x290x75 mm
Bore Diameter	190 mm
Outer Diameter	290 mm
Width	75 mm
d	190 mm
D	290 mm
B	75 mm
C	75 mm
r min.	2,1 mm
da min.	202 mm
Da max.	278 mm
ra max.	2 mm
Weight	17,7 Kg
Basic dynamic load rating (C)	755 kN
Basic static load rating (C0)	1 350 kN
(Grease) Lubrication Speed	1 200 r/min
(Oil) Lubrication Speed	1 600 r/min
Calculation factor (e)	0,26
Calculation factor (Y0)	2,59
Calculation factor (Y1)	2,65
Category	Bearings
Inventory	0.0
Manufacturer Name	NTN
Minimum Buy Quantity	N/A
Weight / Kilogram	0



## BEARING USA CORP.

EAN	4547359276916
Product Group	B04311