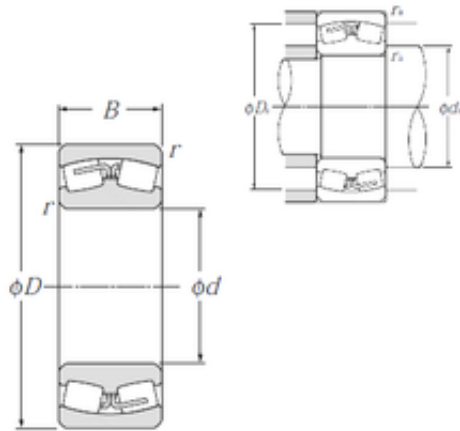




BEARING USA CORP.

240 mm x 360 mm x 118 mm NTN 24048B Spherical Roller Bearings



Bearing No. 24048B

24048B Bearing 2D drawings and 3D CAD models

Size	240x360x118 mm
Bore Diameter	240 mm
Outer Diameter	360 mm
Width	118 mm
d	240 mm
D	360 mm
B	118 mm
C	118 mm
r min.	3 mm
da min.	254 mm
Da max.	346 mm
ra max.	2,5 mm
Weight	43 Kg
Basic dynamic load rating (C)	1 410 kN
Basic static load rating (C0)	2 770 kN
(Grease) Lubrication Speed	850 r/min
(Oil) Lubrication Speed	1 100 r/min
Calculation factor (e)	0,32
Calculation factor (Y0)	2,05
Calculation factor (Y1)	2,09
Category	Bearings
Inventory	0.0
Manufacturer Name	NTN
Minimum Buy Quantity	N/A
Weight / Kilogram	0



BEARING USA CORP.

Product Group	B04311
---------------	--------