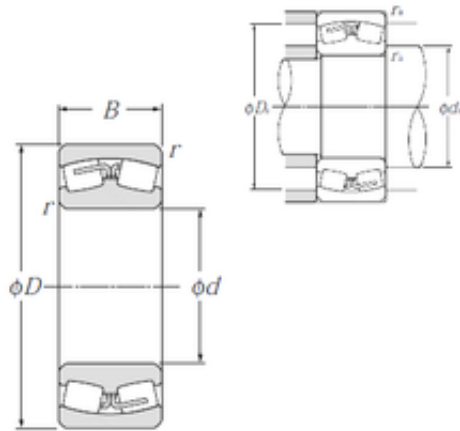




# BEARING USA CORP.

## 400 mm x 650 mm x 250 mm NTN 24180B Spherical Roller Bearings



Bearing No. 24180B

Size	400x650x250 mm
Bore Diameter	400 mm
Outer Diameter	650 mm
Width	250 mm
d	400 mm
D	650 mm
B	250 mm
C	250 mm
r min.	6 mm
da min.	428 mm
Da max.	622 mm
ra max.	5 mm
Weight	329 Kg
Basic dynamic load rating (C)	5 100 kN
Basic static load rating (C0)	10 300 kN
(Grease) Lubrication Speed	430 r/min
(Oil) Lubrication Speed	560 r/min
Calculation factor (e)	0,38
Calculation factor (Y0)	1,73
Calculation factor (Y1)	1,77

24180B Bearing 2D drawings and 3D CAD models