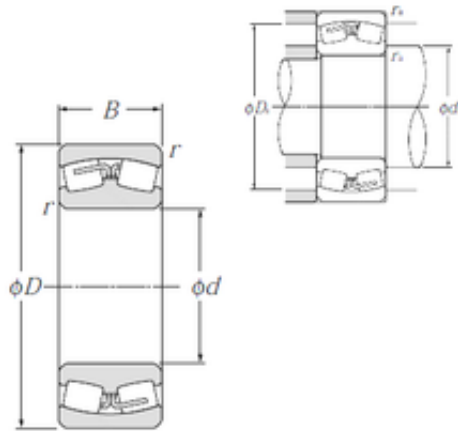




BEARING USA CORP.

440 mm x 790 mm x 280 mm NTN 23288B Spherical Roller Bearings



Bearing No. 23288B

23288B Bearing 2D drawings and 3D CAD models

Size	440x790x280 mm
Bore Diameter	440 mm
Outer Diameter	790 mm
Width	280 mm
d	440 mm
D	790 mm
B	280 mm
C	280 mm
r min.	7,5 mm
da min.	476 mm
Da max.	754 mm
ra max.	6 mm
Weight	600 Kg
Basic dynamic load rating (C)	6 900 kN
Basic static load rating (C0)	12 800 kN
(Grease) Lubrication Speed	360 r/min
(Oil) Lubrication Speed	470 r/min
Calculation factor (e)	0,36
Calculation factor (Y0)	1,84
Calculation factor (Y1)	1,88
d2	552 mm
D1	670.5 mm
rs min	7.5 mm
Number of lubrication holes	8
b	33 mm



BEARING USA CORP.

k	20 mm
e	0.36
Y1	1.88
Y2	2.8
Y0	1.84
Radial clearance class	CN
Dynamic load, C	6,900 kN
Static load, C0	12,800 kN
Fatigue limit load, Cu	861 kN
Nref	320 rpm
Nlim	680 rpm
Min operating temperature, Tmin	-40 ° C
Max operating temperature, Tmax	120 ° C
Characteristic cage frequency, FTF	0.43 Hz
Characteristic rolling element frequency, BSF	7.08 Hz
Characteristic outer ring frequency, BPF0	8.22 Hz
Characteristic inner ring frequency, BPFI	10.78 Hz
da min	472 mm
Da max	758 mm
ra max	6 mm
Category	Bearings
Inventory	0.0
Manufacturer Name	NTN
Minimum Buy Quantity	N/A
Weight / Kilogram	586.458
Product Group	B04311