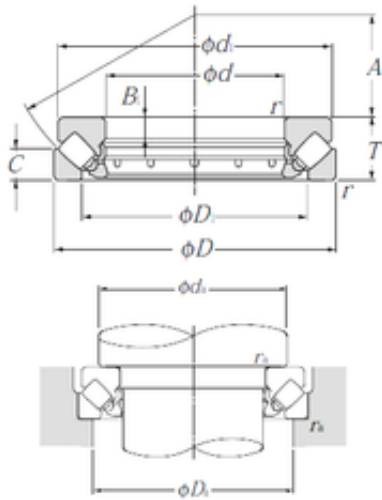




# BEARING USA CORP.

## NTN 29484 Thrust Spherical Roller Bearing

Bearing No. 29484



29484 Bearing 2D drawings and 3D CAD models

Size	420x730x185 mm
Bore Diameter	420 mm
Outer Diameter	730 mm
Width	185 mm
d	420 mm
D	730 mm
T	185 mm
B1	67 mm
C	89 mm
d1	700 mm
r min.	7,5 mm
A	244 mm
D1	556 mm
da min.	560 mm
Da max.	630 mm
ra max.	6 mm
Weight	333 Kg
Basic dynamic load rating (C)	5 500 kN
Basic static load rating (C0)	22 800 kN