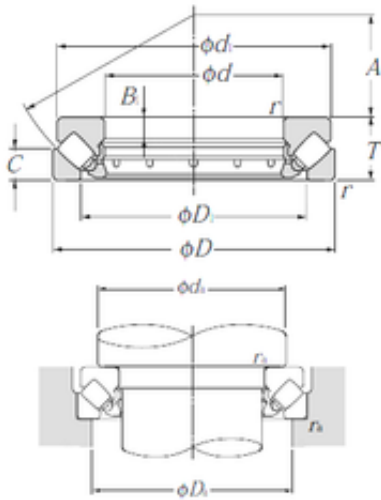




BEARING USA CORP.

NTN 29492 Thrust Spherical Roller Bearing

Bearing No. 29492



29492 Bearing 2D drawings and 3D CAD models

Size	460x800x206 mm
Bore Diameter	460 mm
Outer Diameter	800 mm
Width	206 mm
d	460 mm
D	800 mm
T	206 mm
B1	74 mm
C	100 mm
d1	765 mm
r min.	9,5 mm
A	272 mm
D1	608 mm
da min.	615 mm
Da max.	690 mm
ra max.	8 mm
Weight	443 Kg
Basic dynamic load rating (C)	6 600 kN
Basic static load rating (C0)	27 900 kN