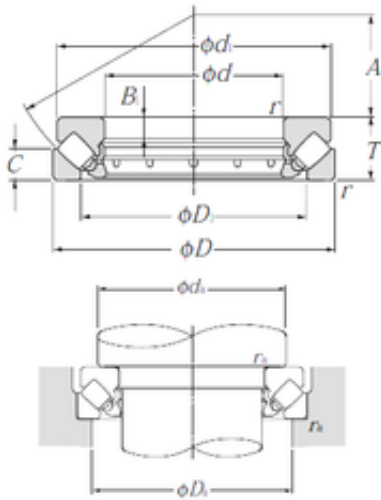




BEARING USA CORP.

NTN 29496 Thrust Spherical Roller Bearing

Bearing No. 29496



29496 Bearing 2D drawings and 3D CAD models

Size	480x850x224 mm
Bore Diameter	480 mm
Outer Diameter	850 mm
Width	224 mm
d	480 mm
D	850 mm
T	224 mm
B1	81 mm
C	108 mm
d1	810 mm
r min.	9,5 mm
A	280 mm
D1	638 mm
da min.	645 mm
Da max.	730 mm
ra max.	8 mm
Weight	552 Kg
Basic dynamic load rating (C)	7 500 kN
Basic static load rating (C0)	31 500 kN
Category	Bearings
Inventory	0.0
Manufacturer Name	NTN
Minimum Buy Quantity	N/A
Weight / Kilogram	552
Product Group	B04311