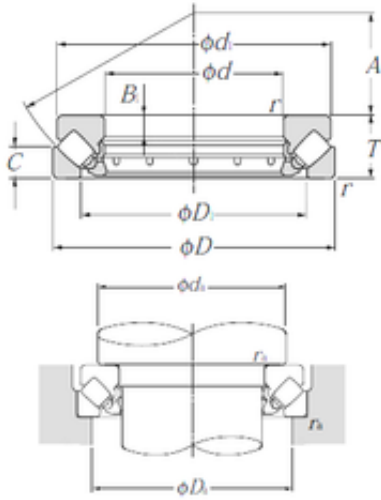




BEARING USA CORP.

NTN 294/500 Thrust Spherical Roller Bearing

Bearing No. 294/500



294/500 Bearing 2D drawings and 3D CAD models

Size	500x870x224 mm
Bore Diameter	500 mm
Outer Diameter	870 mm
Width	224 mm
d	500 mm
D	870 mm
T	224 mm
B1	81 mm
C	107 mm
d1	830 mm
r min.	9,5 mm
A	290 mm
D1	661 mm
da min.	670 mm
Da max.	750 mm
ra max.	8 mm
Weight	569 Kg
Basic dynamic load rating (C)	7 850 kN
Basic static load rating (C0)	33 000 kN