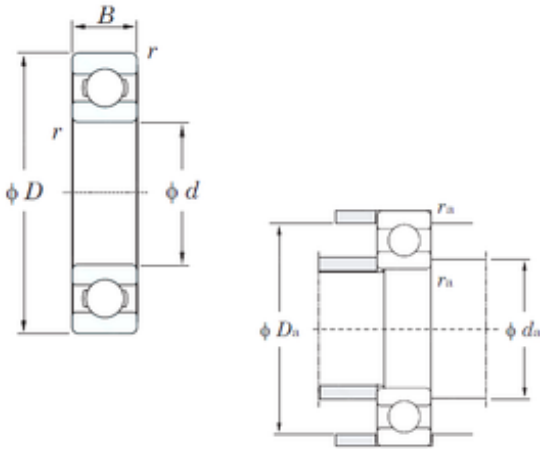




BEARING USA CORP.



SKF Koyo NTN NSK Snr Timken Hybrid
Ceramic Stainless Steel Ball Bearing 6803 6804 6806
61803 61804 61806 2RS

Bearing No. 6803

6803 Bearing 2D drawings and 3D CAD models

Size	17x26x5 mm
Bore Diameter	17 mm
Outer Diameter	26 mm
Width	5 mm
d	17 mm
D	26 mm
B	5 mm
C	5 mm
r min.	0,3 mm
da min.	19 mm
Da max.	24 mm
ra max.	0,3 mm
Weight	0,008 Kg
Basic dynamic load rating (C)	2,6 kN
Basic static load rating (C0)	1,55 kN
(Grease) Lubrication Speed	26000 r/min
(Oil) Lubrication Speed	30000 r/min
Category	Single Row Ball Bearings
Inventory	0.0
Manufacturer Name	KOYO
Minimum Buy Quantity	N/A
Weight / Kilogram	0.009
EAN	0605790083693
Product Group	B00308



BEARING USA CORP.

Enclosure	Open
Precision Class	ABEC 1 ISO P0
Maximum Capacity / Filling Slot	No
Rolling Element	Ball Bearing
Snap Ring	No
Internal Special Features	No
Cage Material	Steel
Internal Clearance	C0-Medium
Inch - Metric	Metric
Long Description	17MM Bore; 26MM Outside Diameter; 5MM Outer Race Diameter; Open; Ball Bearing; ABEC 1 ISO P0; No Filling Slot; No Snap Ring; No Internal Special Features
Category	Single Row Ball Bearing
UNSPSC	31171504
Harmonized Tariff Code	8482.10.50.68
Noun	Bearing
Keyword String	Ball
Manufacturer URL	http://www.koyousa.com
Manufacturer Item Number	6803
Weight / LBS	0.019
Outer Race Width	0.197 Inch 5 Millimeter
Outside Diameter	1.024 Inch 26 Millimeter
Bore	0.669 Inch 17 Millimeter
Bearing No.	6803
r(min)	0.3
Cr	3.30
C0r	1.55
Cu	0.060
f0	15.7



BEARING USA CORP.

Grease lub.	26000
Oil lub.	30000
da(min)	19
Da(max)	24
ra(max)	0.3
(Refer.)Mass(kg)	0.008